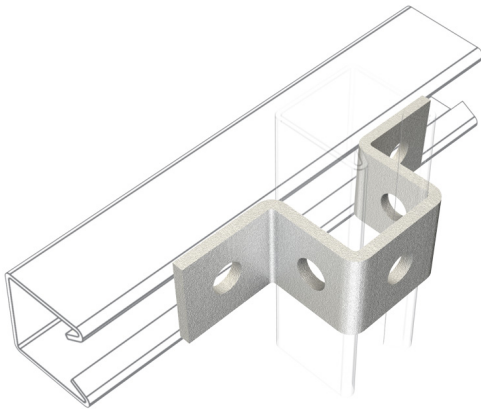


PRODUCT CODE: MP29
CHANNEL BRACKET



DESCRIPTION

41mm U Bracket

FINISH

Hot Dipped Galvanised

MATERIAL

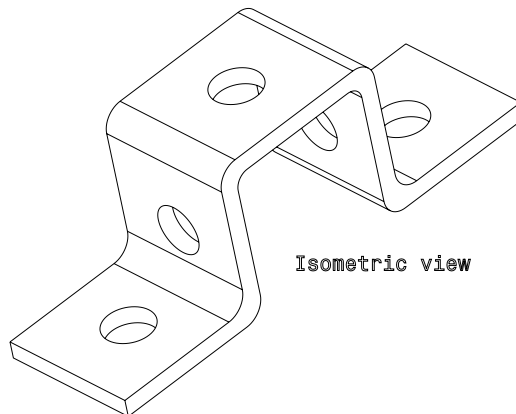
Steel

PACKAGING

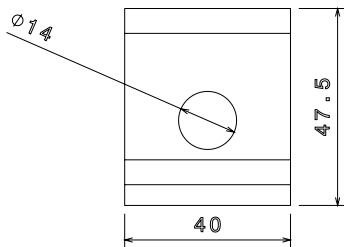
Packed in qty 10

ADDITIONAL NOTES

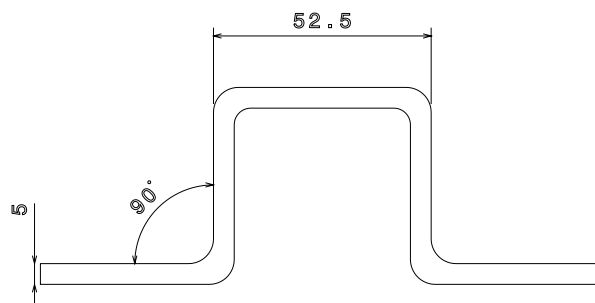
Compliant to LU Standard 1-085 (for use on surface & sub-surface locations)



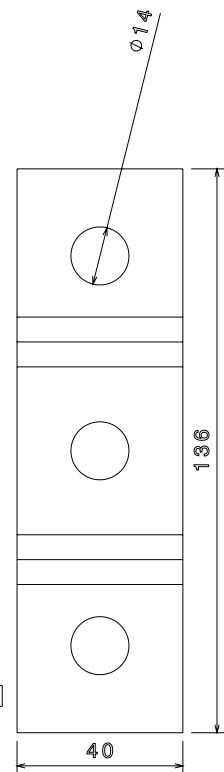
Isometric view



Front view



Side view



Top view